

**SPECIFICATIONS**

**Material:** HEXSEALS: Silicone rubber conforms to A-A-59588 Class III, GR 60 unless otherwise specified.

**Mounting Nut:** HEXSEALS: Brass, nickel-plated (unless otherwise noted)

**Temperature Range:** HEXSEALS: -94°F to +400°F

**Pressure Range:** Exceeds 15 psi internal and 1500 psi external.

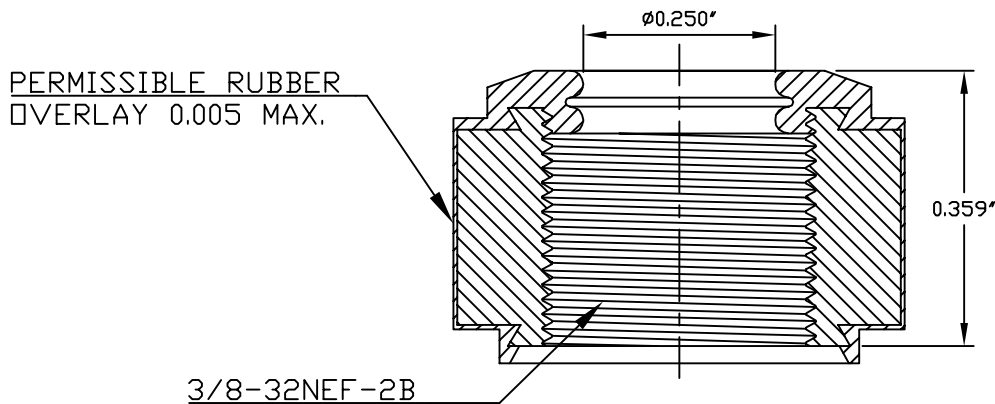
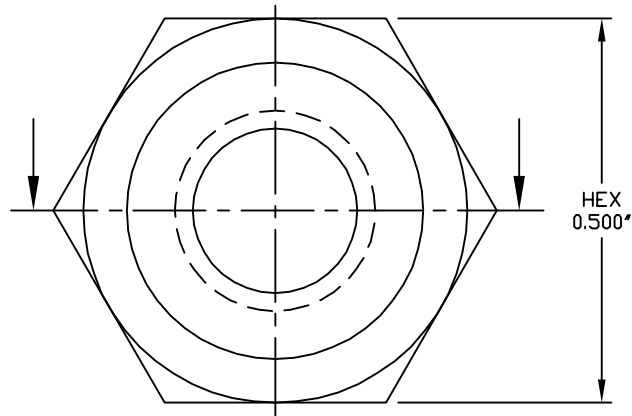
**Operational Life:** 50,000 actuations (minimum).

**Shelf Life:** Excess of 25 years.

**Resistant to:** Salt spray, sunlight, ozone, weather, fungus, and most acids and lubricating oils

**Agency Recognition:** E-SEEL and HEXSEAL are UL listed to UL Std. 50 types 1-13, and meet CSA standards.

**Installation:** If a reducing adaptor is required- see page 14 of HEXSEAL catalog HEX200 for part numbers and drawing.



H	MAT'L CHANGED and REDRAWN		S. GOK	07.10.09
G	CAD COMPUTER GENERATED			09.23.02
F	UPDATED		R. C.	08.07.74
REV.	DESCRIPTION			DATE
MAXIMUM AND MINIMUM MEASUREMENTS ARE STATED DIRECTLY ON EACH DIMENSION.	TITLE:	SEAL, SHAFT, ROTARY (N9033x1/4)	ENG.	
			DWN.	S. ANDREWS 12.11.59
MAT'L: Silicone Rubber conforms to A-A-59588, Gr. 60	APM-HEXSEAL CORPORATION	SCALE	CHKD.	J. CELLA 07.10.09
			4 : 1	DWG. NO. N9033x1/4 HEXSEAL®
FINISH: GRAY				

THIS DRAWING COVERS PROPRIETARY ITEM AND IS THE PROPERTY OF THE APM-HEXSEAL CORPORATION. THIS DRAWING IS NOT TO BE COPIED OR USED WITHOUT THE WRITTEN APPROVAL OF AN OFFICER OF THE APM-HEXSEAL CORPORATION.